



# Self Priming Centrifugal Pump

Models 14D1-CH23 S/G  
and 14D52-CH23 S/G

Size 4" x 4"



22 MTC



| Total Head   |      | Capacity Of Pump In U.S. Gallons Per Minute (GPM) At Continuous Performance |     |     |     |     |
|--------------|------|---|-----|-----|-----|-----|
| P.S.I.       | Feet |   |     |     |     |     |
| 53.3         | 123  | 120   | 120 | 120 | 120 | 120 |
| 52.0         | 120  | 150   | 150 | 150 | 150 | 150 |
| 43.4         | 100  | 240   | 315 | 340 | 340 | 340 |
| 34.7         | 80   | 260   | 362 | 432 | 482 | 500 |
| 26.0         | 60   | 272   | 380 | 456 | 530 | 570 |
| 17.4         | 40   | 280   | 390 | 470 | 548 | 595 |
| 8.7          | 20   | 290   | 400 | 485 | 560 | 620 |
| Suction Lift |      | 25'   | 20' | 15' | 10' | 5'  |



14D1-CH23 S/G SHOWN

## PUMP SPECIFICATIONS

**Size:** 4" x 4" (102 mm x 102 mm) NPT - Female.

**Casing:** (14D1) Aluminum Alloy 356-T6 w/Gray Iron 30 Cutwater Insert.

(14D52) Gray Iron 30.

Maximum Operating Pressure 89 psi (614 kPa).\*

**Semi-Open Type, Two Vane Impeller:** Ductile Iron 65-45-12. Handles 2" (50,8 mm) Diameter Spherical Solids.

**Replaceable Wear Plate:** Carbon Steel ASTM A36.

**Removable Cover Plate:**

(14D1) Aluminum Alloy 356-T6; 5 lbs. (2,2 kg).

(14D52) Gray Iron 30; 12 lbs. (5,4 kg).

**Shaft Sleeves:** Alloy Steel 4130.

**Intermediate Bracket:**

(14D1) Aluminum Alloy 356-T6.

(14D52) Gray Iron 30.

**Seal:** Type 31, Mechanical, Self Lubricated, Silicon Carbide Rotating and Stationary Faces. Fluorocarbon Elastomers (DuPont Viton® or Equivalent). Stainless Steel 304 Cage and Spring. Maximum Temperature of Liquid Pumped 160°F (71°C).\*

**Flap Valve:** Buna-N w/Nylon Reinforcement; Gray Iron 30.

**Suction Flange:** Aluminum Alloy 356-T6.

**Gaskets:** Cork with Nitrile Binder (NC710).

**Hardware:** Standard Plated Steel.

**Standard Equipment:** Roll Cage with Rubber Feet. 90° Discharge Elbow. Strainer.

**Optional Equipment:** Battery. Wheel Kit w/Semi-Pneumatic Tires.

\*Consult Factory for Applications Exceeding Maximum Pressure and/or Temperature Indicated.



## ENGINE SPECIFICATIONS

**Model:** Kohler CH23.

**Type:** Twin Cylinder, Four Cycle, Air Cooled, Overhead Valve, Gasoline Engine.

**Displacement:** 41.1 Cu. In. (674 cc).

**Cylinder:** Aluminum w/Cast Iron Liner.

**Lubrication:** Forced Circulation.

**Air Cleaner:** Dual Element w/Pre-cleaner.

**Fuel Tank:** 10 U.S. Gallons (37,9 Liters).

**Full Load Operating Time:** 5 Hrs.

**Starter:** 12 Volt Electric.

**Ignition System:** Electronic.

**Standard Equipment:** Muffler w/Guard. Manual Choke and Throttle Control w/Top Speed Limit. Oil Fill w/Dipstick; Drain Port Each Side. "Oil Sentry™" Shut Down.



GORMAN-RUPP PUMPS

www.grpumps.com

Specifications Subject to Change Without Notice

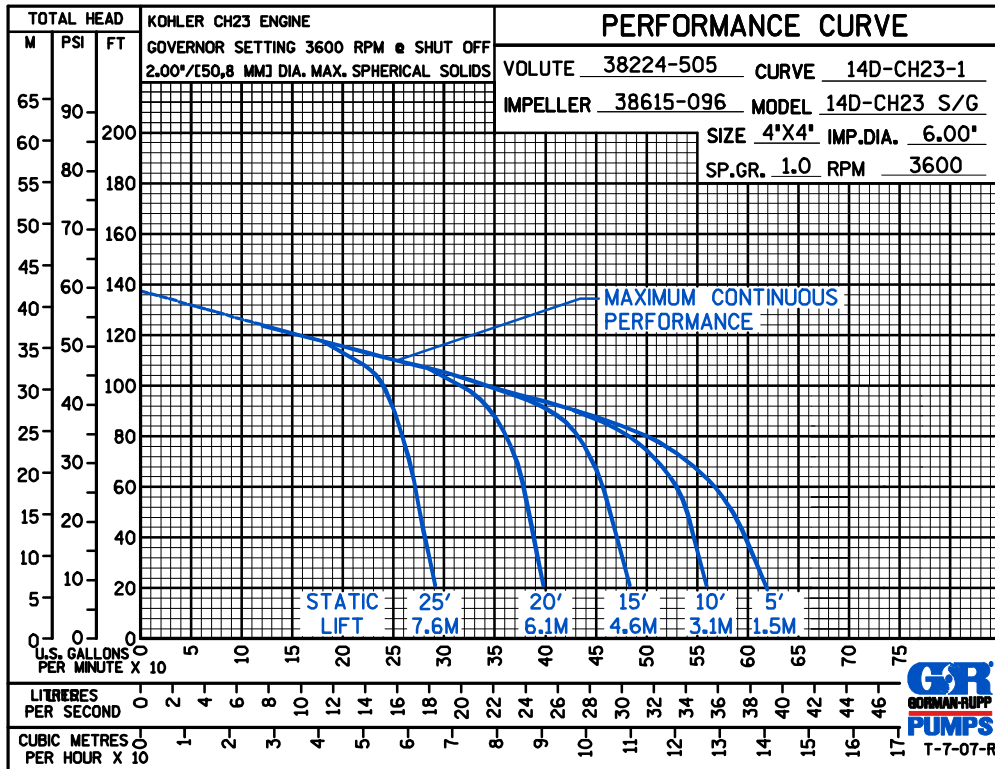
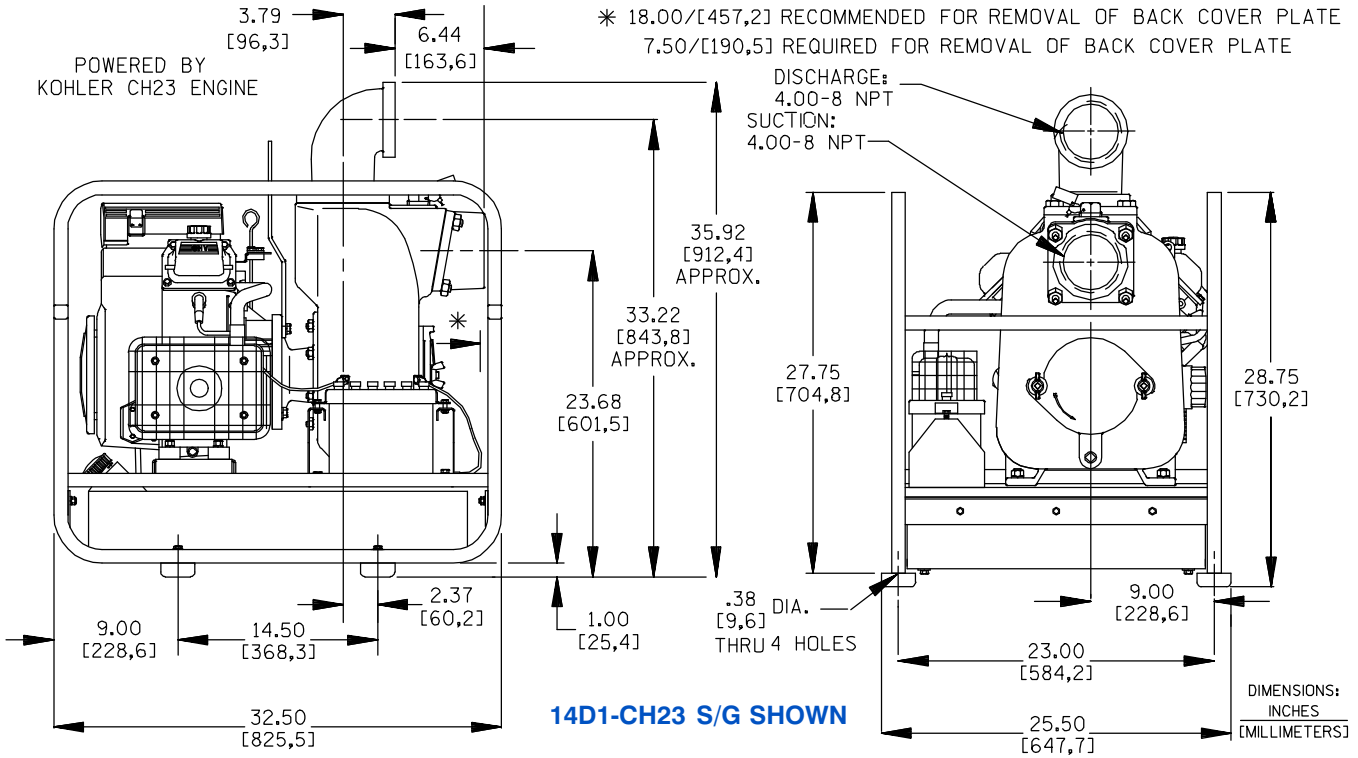
Printed in U.S.A.

**Specification Data**

SECTION 45, PAGE 875

APPROXIMATE DIMENSIONS and WEIGHTS

NET WEIGHT: 330 LBS. (150 KG.)  
 SHIPPING WEIGHT: 385 LBS. (175 KG.)  
 EXPORT CRATE: 25 CU. FT. (0,7 CU. M.)  
 WHEEL KIT ADD: 25 LBS. (11.3 KG.);  
 SHIPPING CRATE (SEPARATE) 3 CU. FT. (0,1 CU. M.)



**GORMAN-RUPP PUMPS**

www.grpumps.com

Specifications Subject to Change Without Notice

Printed in U.S.A.