



PERISTALTIC PUMPS

- *Low Cost*
- *Minimal Maintenance*
- *No Valves or Seals*
- *Self-priming to 20 ft.*
- *Chemically Resistant*
- *Easy Service*
- *Mounting Flexibility*
- *Maximum Flow 360 ml / min*
- *Maximum Discharge Pressure 20 PSI*
- *Tubing Length 9"*
- *Maximum Temperature 275° F*

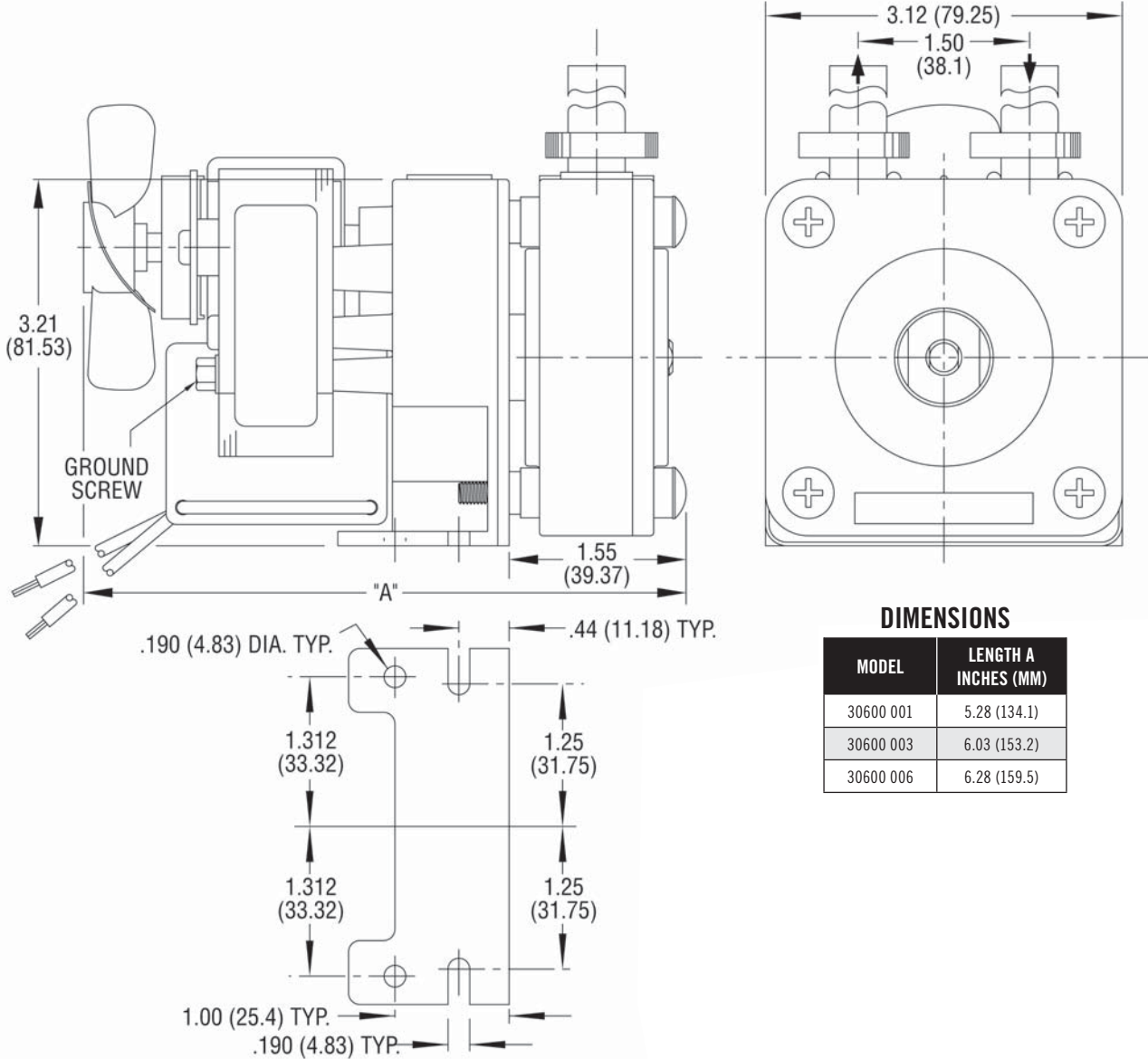


Models 30600 001 S, 30600 003 S, 30600 006 S

Peristaltic pumps operate on a positive displacement principle. Because there are few moving parts and no valves or seals, peristaltic pumps are virtually maintenance free. No tools or disassembly is required to replace the tubing. These pumps are ideal for slurries, abrasive, viscous and corrosive liquids because only the tubing is in contact with the solution. OEM applications include a variety of chemical dispensing systems.

WARNING: Do not use in explosive atmosphere or for pumping volatile flammable liquids.

PERISTALTIC PUMPS



DIMENSIONS

MODEL	LENGTH A INCHES (MM)
30600 001	5.28 (134.1)
30600 003	6.03 (153.2)
30600 006	6.28 (159.5)

CATALOG NUMBER STOCK NO.	DESCRIPTION/TYPE OF PUMP	FLOW RATE IN ML/MIN.	SHIP WT.	DRIVER TYPE & HP	PORT SIZE SUC. X DIS. (TUBE)	BASIC CONSTRUCTION	SEAL TYPE & ELASTOMER/FACES	VAC	FULL LOAD AMPS	MOTOR ENCLOSURE	RPM
30600 001 S	Peristaltic Pump	45	4 lbs.	Sub Frac/SP	.25"ID	Norprene®	No seals	115	0.5	C-Frame	15
30600 003 S	Peristaltic Pump	180	5 lbs.	Sub Frac/SP	.25"ID	Norprene®	No seals	115	1.1	C-Frame	63
30600 006 S	Peristaltic Pump	360	5 lbs.	Sub Frac/SP	.25"ID	Norprene®	No seals	115	1.6	C-Frame	120

Standard Features:

- Thermally protected, shaded pole 115V, 50/60 Hz motor
- Norprene® 9" tubing
- Tubing I.D. .25"
- Maximum fluid temperature 275° F
- No valves or seals



See price book page 45

The Gorman-Rupp Company reserves the right to discontinue any model or change specifications at any time without incurring any obligation. Norprene® is a registered trademark of Norton Performance Plastics Corporation.

CP125-126/0904