



BELLOWS METERING PUMPS

1.5" Bel-O-Just® Pumps, Single 1.5" Compact Bellows Pumps

- **Repeatability From Stroke-To-Stroke to +/- 0.5%**
- **Dry Run Capability**
- **Self-priming**
- **No Dynamic Seals**
- **Superior Corrosion Resistance**
- **Long, Maintenance Free Operation**
- **Simple Flow Adjustment**
- **Maximum Flow 945 ml Per Minute**
- **Maximum Pressure 20 PSI**
- **Maximum Temperature 140° F**



Model 14251 005 S

Bellows Metering pumps operate on a positive displacement principle. The rotation of the motor shaft is transmitted into a reciprocating motion through a lever pivot crank mechanism. This motion provides a continuous squeezing and relaxing force on a bellows module, forcing fluid in and out of the module. Pumps are designed to displace both corrosive and noncorrosive fluids. Accurate to +/- 0.5% from stroke to stroke, when pump is set 50% to 100% of full stroke. Discharge pressure is maintained over the entire flow range of the pump. Poppet valves are utilized to prevent backflow, preventing siphoning through the pump in applications where a positive suction head exists. Typical applications include film and x-ray processors, silver recovery systems, wafer and silicon chip washers and silicon chip washers and processors, detergent dispensers, blood analyzing equipment, industrial floor scrubbers, thermo therapy equipment, waste removal systems, and wastewater and water treatment systems

INDUSTRIAL DUTY

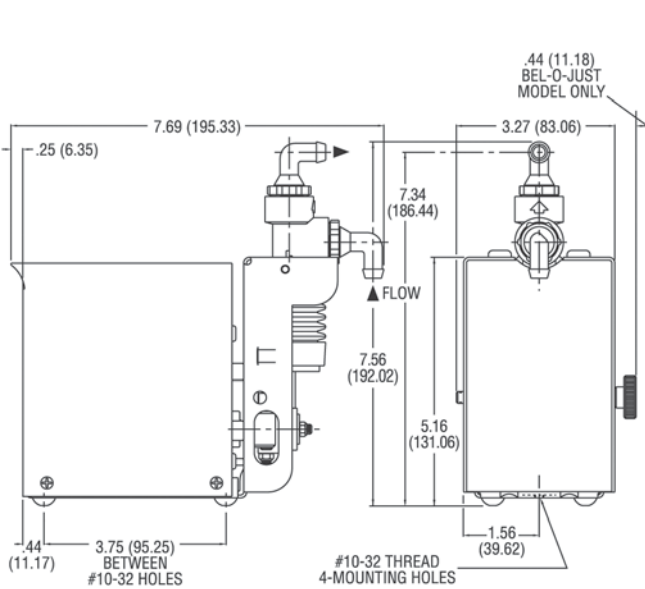


Model 16001 003 S

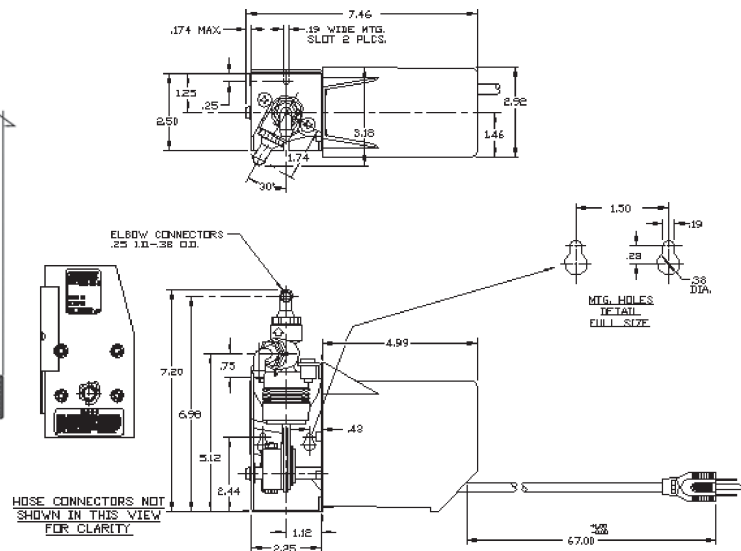


Model 16001 004 S

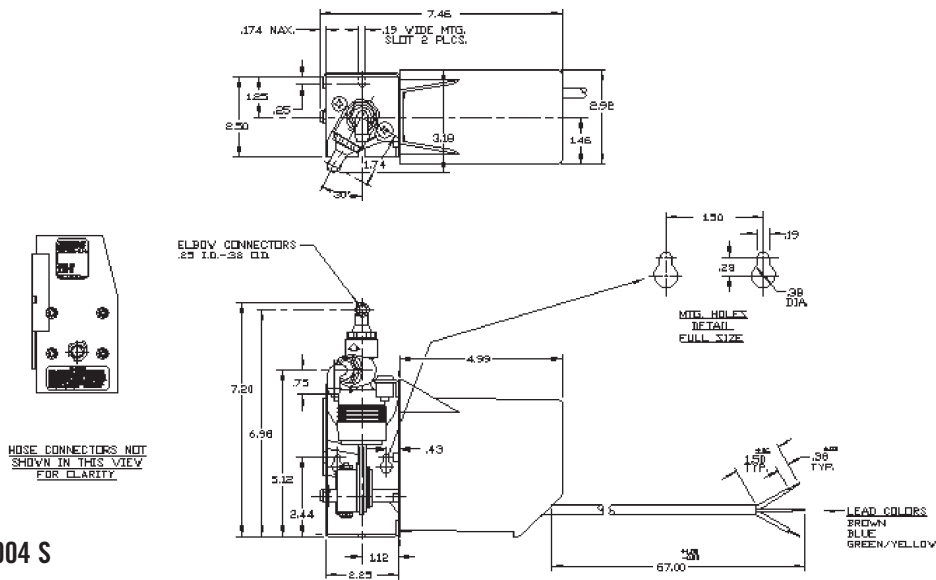
BELLOWS METERING PUMPS



Model 14251 005 S



Model 16001 003 S



Model 16001 004 S

CATALOG NUMBER STOCK NO.	DESCRIPTION/ TYPE OF PUMP	SHIP WT.	DRIVER TYPE & HP	PORT SIZE SUC. X DIS. (TUBE)	BASIC CONSTRUCTION	SEAL TYPE & ELASTOMER/ FACES	VAC	FULL LOAD AMPS	MOTOR ENCLOSURE
14251 005 S	1.5" Bel-O-Just Bellows	6 lbs.	Sub Frac/SP	.38"ID	Polypropylene	EPT	115	1.1	C-Frame
16001 003 S	1.5" Compact Bellows Pump	5 lbs.	Sub Frac/SP	.38"ID	Polypropylene	EPT	115	1	C-Frame
16001 004 S	1.5" Compact Bellows Pump	4 lbs.	Sub Frac/SP	.38"ID	Polypropylene	EPT	230	0.5	C-Frame

Standard Features:

- Polypropylene construction
- EPT O-ring & Poppet Valves
- .38" Suction & Discharge
- Standard gear motors in 115V 50/60Hz or 230V 50/60 Hz

WARNING: Do not use in explosive atmosphere or for pumping volatile flammable liquids.



See price book page 45

The Gorman-Rupp Company reserves the right to discontinue any model or change specifications at any time without incurring any obligation.

CP117-118/0904