



Self Priming Centrifugal Pump

Models 16C2-QSF2.8P FT4
and 16C20-QSF2.8P FT4

Size 6" x 6"



70MT

Total Head		Capacity of Pump in U.S. Gallons per Minute (GPM) at Continuous Performance				
P.S.I.	Feet	25'	20'	15'	10'	5'
70.2	162	450	450	450	450	450
65.0	150	560	770	770	770	770
54.2	125	638	940	1140	1220	1220
43.4	100	665	959	1190	1380	1460
32.5	75	680	960	1200	1410	1540
21.7	50	682	962	1205	1435	1570
10.8	25	690	963	1208	1440	1600
Suction Lift		25'	20'	15'	10'	5'

PUMP SPECIFICATIONS

Size: 6" x 6" (152 mm x 152 mm) NPT - Female.

Casing: Gray Iron 30.

Maximum Operating Pressure 117 psi (807 kPa).*

Semi-Open, Two Vane Impeller: Ductile Iron 65-45-12.

Handles 3" (76,2 mm) Diameter Spherical Solids.

Impeller Shaft: Stainless Steel 17-4 PH.

Replaceable Wear Plate: Carbon Steel ASTM A36.

Removable Cover Plate: Gray Iron 30; 36 lbs. (16 kg).

Intermediate: Gray Iron 30.

Seal Plate: Gray Iron 30.

Seal:

(16C2) Double, Grease-Lubricated w/Spring Loaded Grease Cup. Sintered Bronze Stationary Seal Seats. Steel Rotating Faces. Neoprene Packing Rings. Maximum Temperature of Liquid Pumped, 110°F (43°C). Maximum Suction Pressure 10 psi (69 kPa).*

(16C20) Type 2, Mechanical, Oil-Lubricated, Floating, Self-Aligning. Tungsten Titanium Carbide Rotating and Stationary Faces. Stainless Steel 316 Stationary Seat. Fluorocarbon Elastomers (DuPont Viton® or Equivalent). Stainless Steel 18-8 Cage and Spring. Maximum Temperature of Liquid Pumped is 160°F (71°C).*

Seal Liner: (16C2) Copper Alloy C93700.

Shaft Sleeve: (16C20) Alloy Steel 4130.

Flap Valve: Neoprene w/Steel Reinforcing.

Radial Bearing: Open Single Row Ball.

Thrust Bearing: Open Double Row Ball.

Bearing Lubrication: SAE 30 Non-Detergent Oil.

Suction Flange: Gray Iron 30.

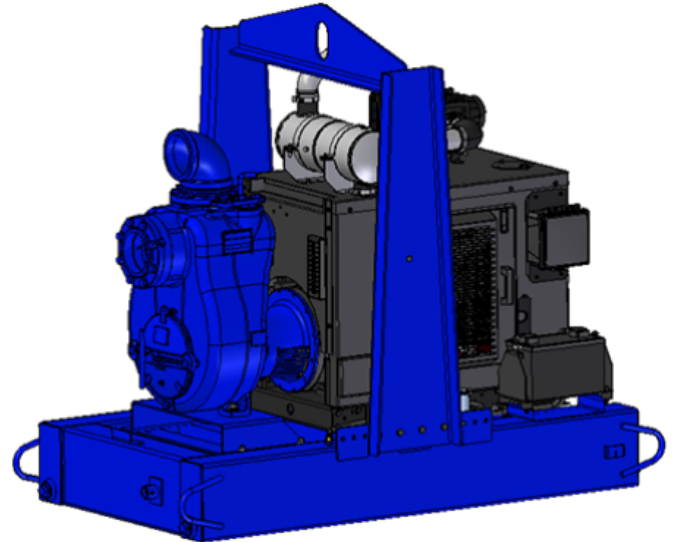
Gaskets: Cork, Vegetable Fiber, Compressed Synthetic Fibers and PTFE.

Hardware: Standard Plated Steel.

Standard Equipment: Hoisting Bail. Combination Skid Base w/Fuel Tank. 90° Discharge Elbow. Strainer. Oil Level Sight Gauge.

Optional Equipment: Battery. High Speed (55 MPH/89 KM/H) Single Axle Pneumatic-Tired Wheel Kit w/wo DOT-Approved Lights and Electric Brakes. [Tandem Axle Over-the-Road Trailer](#).

*Consult Factory for Applications Exceeding Maximum Pressure and/or Temperature Indicated.



ENGINE SPECIFICATIONS

Model: Cummins QSF2.8.

EPA Tier: Final Tier 4.

Type: Four Cylinder, Four Cycle, Turbocharged, Charge Air Cooled, Liquid Cooled Diesel Engine.

Displacement: 173 Cu. In. (2,8 Liters).

Lubrication: Forced Circulation.

Air Cleaner: Dry Type.

Fuel Tank: 61 U.S. Gals. (231 Liters).

Full Load Operating Time: 18.2 Hrs.

Starter: 12V Electric.

Standard Features: Muffler w/Weather Cap.

Optional: Electronic Fuel Level Sensor.

Engine Control Features: Padlockable Box with Throttle Control, Tachometer, Coolant Temperature, Oil Pressure, Voltage and Overstart Indicators/Shutdowns. Manual/Stop Keyswitch. Fuel Level Display/Alarm/Shutdown (For Use With Optional Fuel Level Sensor).

CUMMINS PUBLISHED PERFORMANCE:

Maximum Gross Continuous BHP
74 (55 kW) @ 2500 RPM



GORMAN-RUPP PUMPS

To order, visit <http://pumpstoreusa.com/store/trashpumps> or call 515-223-4144

Specifications Subject to Change Without Notice

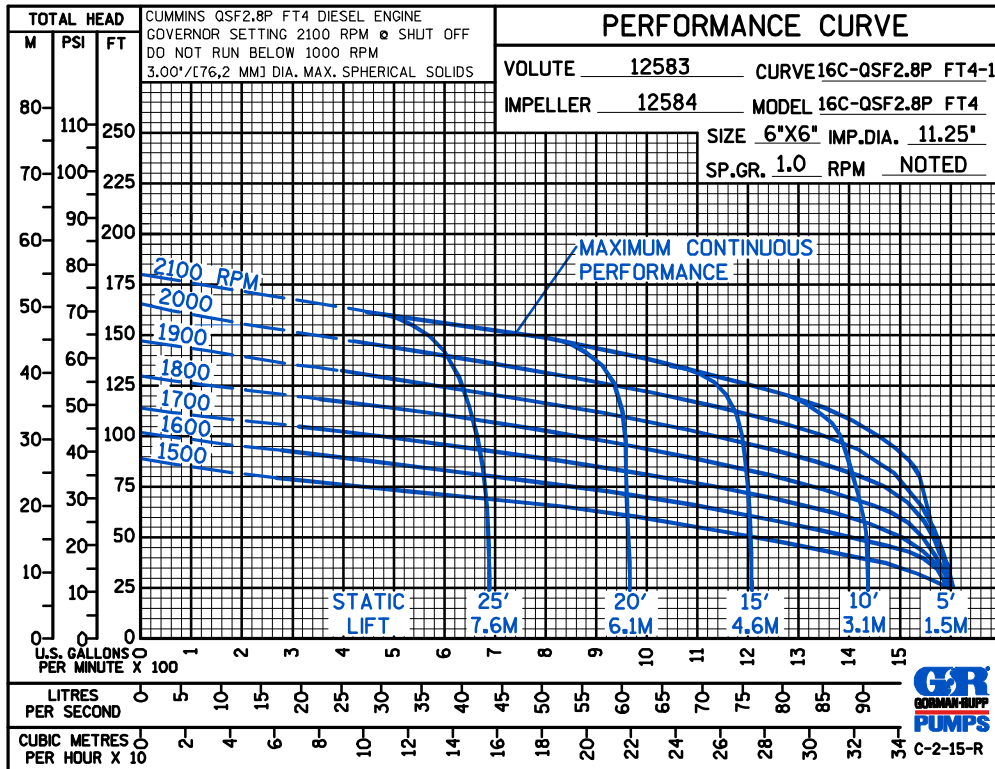
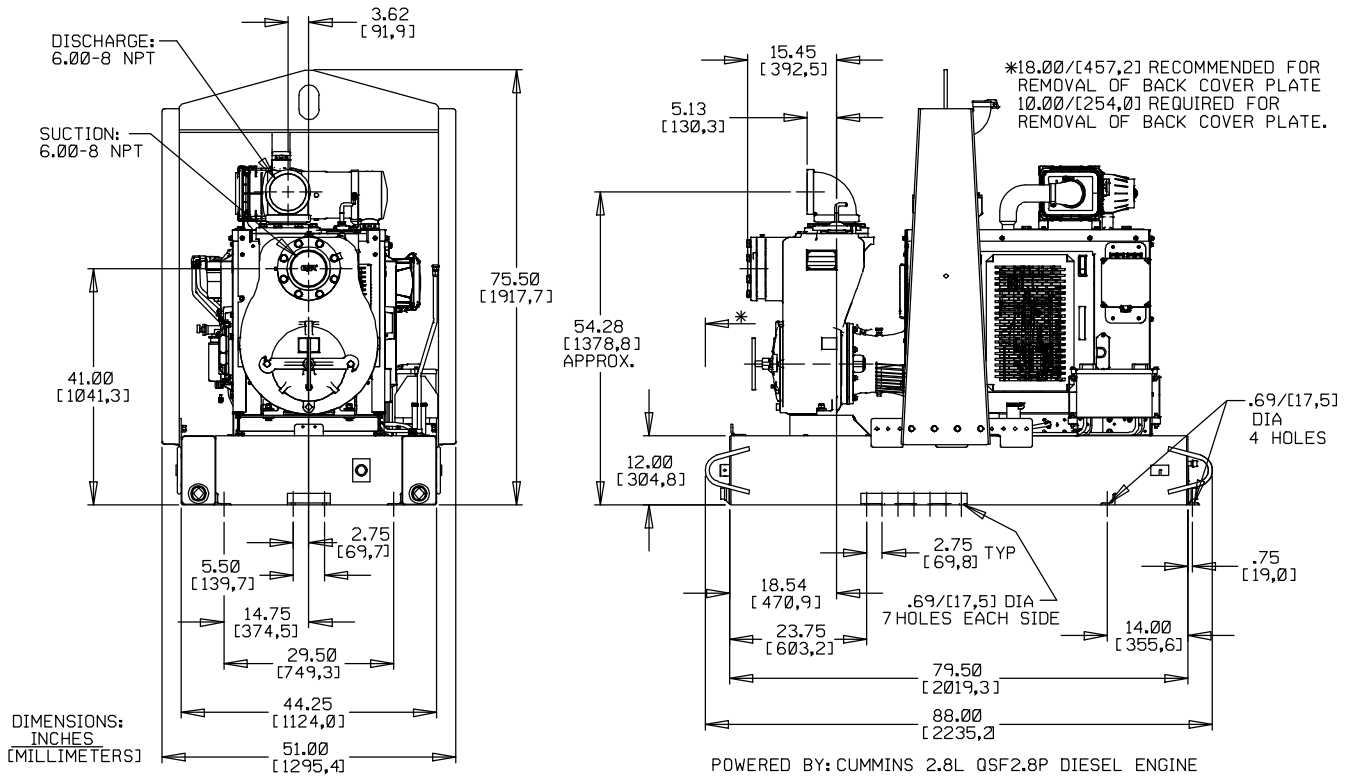
Printed in U.S.A.

Specification Data

SECTION 45, PAGE 1505

APPROXIMATE DIMENSIONS and WEIGHTS

	SKID BASE	2-WHEEL
NET WEIGHT:	2905 LBS. (1318 KG.)	3405 LBS. (1544 KG.)
SHIPPING WEIGHT:	3305 LBS. (1499 KG.)	3405 LBS. (1544 KG.)
EXPORT CRATE SIZE:	253 CU. FT. (7,2 CU. M.)	



GORMAN-RUPP PUMPS

To order, visit <http://pumpstoreusa.com/store/trashpumps> or call 515-223-4144

Specifications Subject to Change Without Notice

Printed in U.S.A.