

DIAPHRAGM TYPE, POSITIVE DISPLACEMENT PUMPS

Gorman-Rupp diaphragm pumps are designed to pump sludge, sewage, mud, and other heavy liquids. All models are self-priming, have built-in flap valves, and include a suction strainer. All models are furnished with a wheel kit. Models are available with an explosion-proof electric motor, ODP electric motor, or as a basic model, less driver (furnished with a flex coupling). Standard diaphragms are DuraBlue 1000® in 3" pumps and neoprene in 4" pumps. Models equipped with explosion-proof motors may be used in hazardous environments and/or for handling flammable liquids (neoprene diaphragm models only).



FEATURES

- Aluminum construction
- Self-priming to 25 ft. (7,6 m) lift
- Neoprene or DuraBlue 1000® diaphragm material
- 3" & 4" NPT discharge port sizes
- Built-in flap valves
- Includes suction strainer
- Solids-handling capabilities to 2-1/4" (57 mm) diameter
- Driver options: ODP electric motor, explosion-proof electric motor, or basic unit (less driver)
- Wheel kit standard on all models
- Suction reducer standard

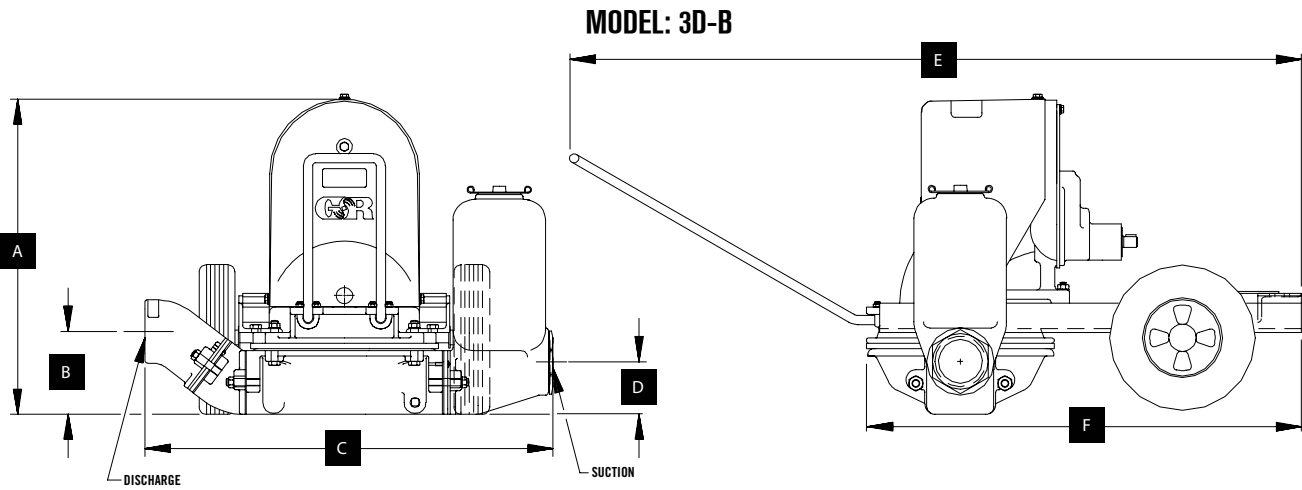
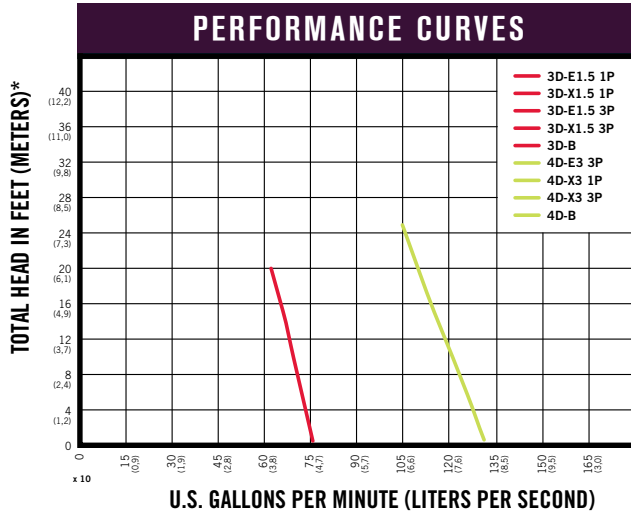
GENERAL INFORMATION

Model	Ship Wt. (Approx.)	Driver Type (HP)	Max. Solids	Suc. x Dis. (NPT)	Basic Construction	Diaphragm Material	VAC 60 Hz	Phase	Amps	Motor Enclosure (RPM)
3D-B	181 lbs.	User supplied 145T frame	2-1/4" (57 mm)	3" or 2" x 3"	Aluminum	DuraBlue 1000® Elastomer	N/A	N/A	N/A	N/A
3D-E1.5 1P	260 lbs.	Electric motor (1-1/2)	2-1/4" (57 mm)	3" or 2" x 3"	Aluminum	DuraBlue 1000 Elastomer	115/230 3P	1	18.2/9.1	ODP (1800)
3D-E1.5 3P	260 lbs.	Electric motor (1-1/2)	2-1/4" (57 mm)	3" or 2" x 3"	Aluminum	DuraBlue 1000 Elastomer	230/460 3P	3	4.0/2.0	ODP (1800)
3D-X1.5 1P	300 lbs.	Electric motor (1-1/2)	2-1/4" (57 mm)	3" or 2" x 3"	Aluminum	DuraBlue 1000 Elastomer	115/230 3P	1	17.0/8.5	X-Proof (1800)
3D-X1.5 3P	300 lbs.	Electric motor (1-1/2)	2-1/4" (57 mm)	3" or 2" x 3"	Aluminum	DuraBlue 1000 Elastomer	230/460 3P	3	4.3/2.15	X-Proof (1800)
4D-B	345 lbs.	User supplied 182T or 184T frame	2-1/4" (57 mm)	4" or 3" x 4"	Aluminum	Neoprene	N/A	N/A	N/A	N/A
4D-E3 3P	420 lbs.	Electric motor (3)	2-1/4" (57 mm)	4" or 3" x 4"	Aluminum	Neoprene	230/460 3P	3	4.9/2.45	ODP (1800)
4D-X3 1P	440 lbs.	Electric motor (3)	2-1/4" (57 mm)	4" or 3" x 4"	Aluminum	Neoprene	115/230 3P	1	30.0/15.0	X-Proof (1800)
4D-X3 3P	440 lbs.	Electric motor (3)	2-1/4" (57 mm)	4" or 3" x 4"	Aluminum	Neoprene	230/460 3P	3	7.74/3.87	X-Proof (1800)

NOTE: Use only X-proof models for applications in Class I, Division I, Group D and Class II, Groups E, F & G Temp Code T2D/T3B environments.

DIAPHRAGM TYPE, POSITIVE DISPLACEMENT PUMPS

D SERIES



INCHES (MILLIMETERS)		PUMP DIMENSIONAL DATA							
Model	A	B	C	D	E	F	G (Diameter)	Suction*	Discharge*
3D-B	22.26 (565,40)	5.69 (114,50)	28.25 (717,60)	3.63 (92,10)	49.44 (1255,70)	29.94 (760,40)	0.75 (19,10)	2.00 or 3.00	3.00
3D-E1.5 1P	22.26 (565,40)	5.69 (114,50)	28.25 (717,60)	3.63 (92,10)	49.44 (1255,70)	29.94 (760,40)	N/A	2.00 or 3.00	3.00
3D-E1.5 3P	22.26 (565,40)	5.69 (114,50)	28.25 (717,60)	3.63 (92,10)	49.44 (1255,70)	29.94 (760,40)	N/A	2.00 or 3.00	3.00
3D-X1.5 1P	22.26 (565,40)	5.69 (114,50)	28.25 (717,60)	3.63 (92,10)	49.44 (1255,70)	29.94 (760,40)	N/A	2.00 or 3.00	3.00
3D-X1.5 3P	22.26 (565,40)	5.69 (114,50)	28.25 (717,60)	3.63 (92,10)	49.44 (1255,70)	29.94 (760,40)	N/A	2.00 or 3.00	3.00
4D-B	28.81 (731,80)	7.00 (177,80)	33.88 (860,60)	5.47 (138,80)	51.66 (1312,20)	32.38 (822,40)	0.75 (19,10)	3.00 or 4.00	4.00
4D-E3 3P	28.81 (731,80)	7.00 (177,80)	33.88 (860,60)	5.47 (138,80)	51.66 (1312,20)	32.38 (822,40)	N/A	3.00 or 4.00	4.00
4D-X3 1P	28.81 (731,80)	7.00 (177,80)	33.88 (860,60)	5.47 (138,80)	51.66 (1312,20)	32.38 (822,40)	N/A	3.00 or 4.00	4.00
4D-X3 3P	28.81 (731,80)	7.00 (177,80)	33.88 (860,60)	5.47 (138,80)	51.66 (1312,20)	32.38 (822,40)	N/A	3.00 or 4.00	4.00

*Standard NPT Pipe Threads

