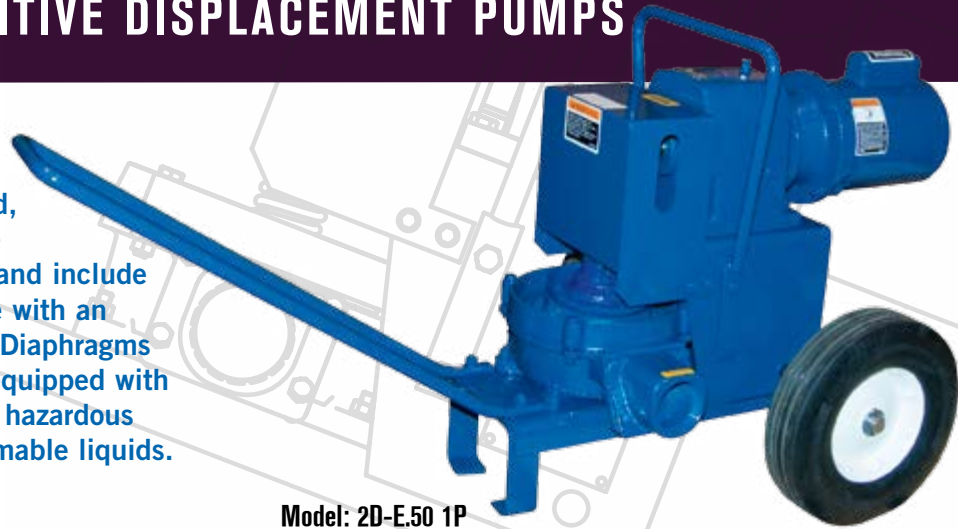


## DIAPHRAGM TYPE, POSITIVE DISPLACEMENT PUMPS

Gorman-Rupp diaphragm pumps are designed to pump sludge, sewage, mud, and other heavy liquids. All models are self-priming, have built-in flap valves, and include a suction strainer. Models are available with an explosion-proof or ODP electric motor. Diaphragms and flap valves are neoprene. Models equipped with explosion-proof motors may be used in hazardous environments and/or for handling flammable liquids.



Model: 2D-E.50 1P  
 Shown with optional wheel kit

### FEATURES

- Cast iron construction
- Self-priming to 20 ft. (6,1 m) lift
- Nylon reinforced neoprene diaphragm material
- 2" NPT port sizes
- Built-in neoprene flap valves
- Includes suction strainer
- Solids-handling capabilities to 1-1/2" (38 mm) diameter
- Driver options: ODP electric motor, explosion-proof electric motor
- Optional wheel kit available upon request
- Power cord on model 2D-E.50 1P

### GENERAL INFORMATION

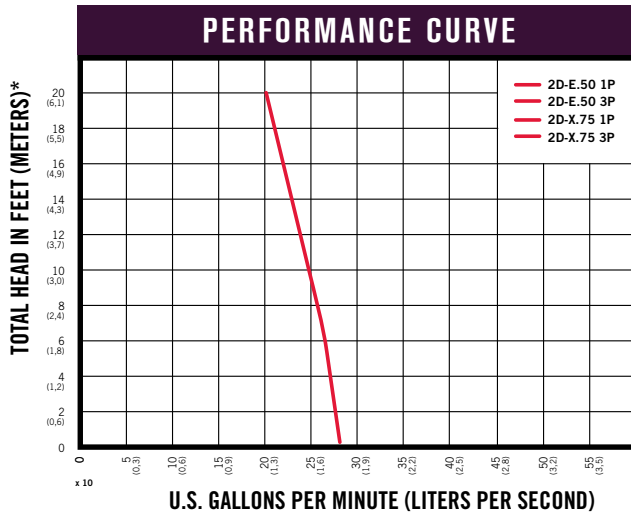
Model	Ship Wt. (Approx.)	Driver Type (HP)	Max. Solids	Suc. x Dis. (NPT)	Basic Construction	Diaphragm Material	VAC 60 Hz	Phase	Amps	Motor Enclosure (RPM)
2D-E.50 1P	120 lbs.	Electric motor (1/2)	1-1/2" (38 mm)	2" x 2"	Cast Iron	Neoprene	115/230	1	8.0/4.0	ODP (1725)
2D-E.50 3P	120 lbs.	Electric motor (1/2)	1-1/2" (38 mm)	2" x 2"	Cast Iron	Neoprene	230/460	3	1.81/0.92	ODP (1725)
2D-X.75 1P	120 lbs.	Electric motor (3/4)	1-1/2" (38 mm)	2" x 2"	Cast Iron	Neoprene	115/230	1	11.0/5.5	X-Proof (1725)
2D-X.75 3P	120 lbs.	Electric motor (3/4)	1-1/2" (38 mm)	2" x 2"	Cast Iron	Neoprene	230/460	3	3.0/1.5	X-Proof (1725)

To order, visit  
<http://www.pumpstoreusa.com/store/diaphragmpumps/>  
 or call 515-223-4144

To order, visit  
<http://www.pumpstoreusa.com/store/diaphragmpumps/>  
 or call 515-223-4144

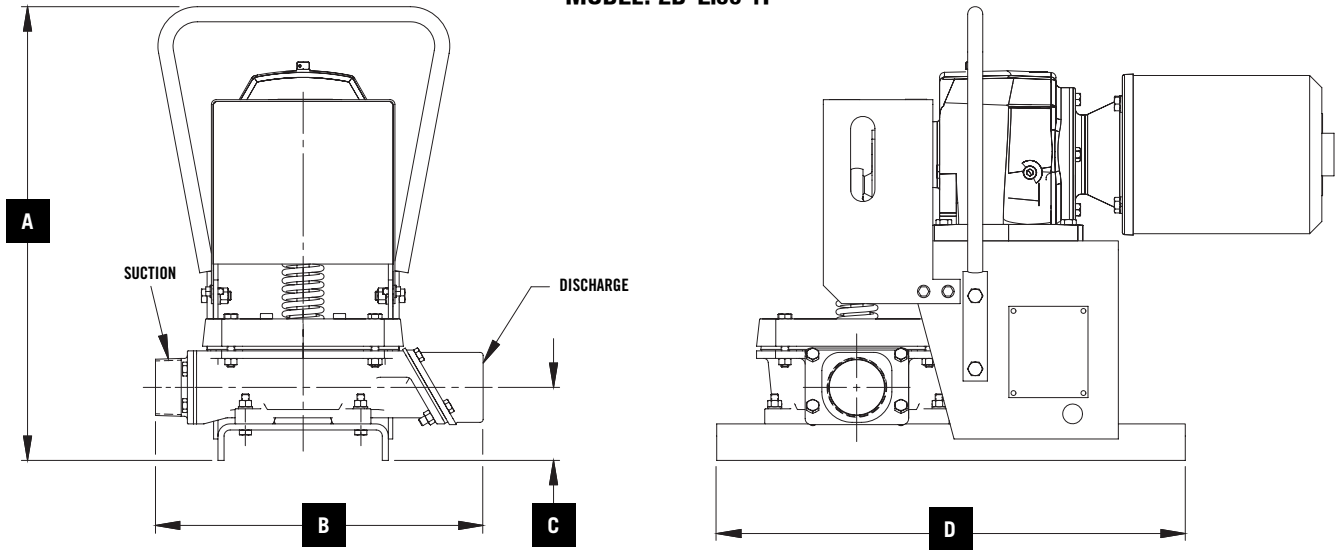
# DIAPHRAGM TYPE, POSITIVE DISPLACEMENT PUMPS

D SERIES



Curves are based on a specific gravity of 1.0 \*To convert to PSI divide by 2.31

## MODEL: 2D-E.50 1P



INCHES (MILLIMETERS)		<b>PUMP DIMENSIONAL DATA</b>				Suction*	Discharge*
Model	A	B	C	D			
2D-E.50 1P	18.64 (473,50)	13.46 (341,90)	3.00 (76,20)	19.25 (489,00)	2.00	2.00	
2D-E.50 3P	18.64 (473,50)	13.46 (341,90)	3.00 (76,20)	19.25 (489,00)	2.00	2.00	
2D-X.75 1P	18.64 (473,50)	13.46 (341,90)	3.00 (76,20)	19.25 (489,00)	2.00	2.00	
2D-X.75 3P	18.64 (473,50)	13.46 (341,90)	3.00 (76,20)	19.25 (489,00)	2.00	2.00	

\*Standard NPT Pipe Threads

To order, visit  
<http://www.pumpstoreusa.com/store/diaphragmpumps/>  
 or call 515-223-4144

