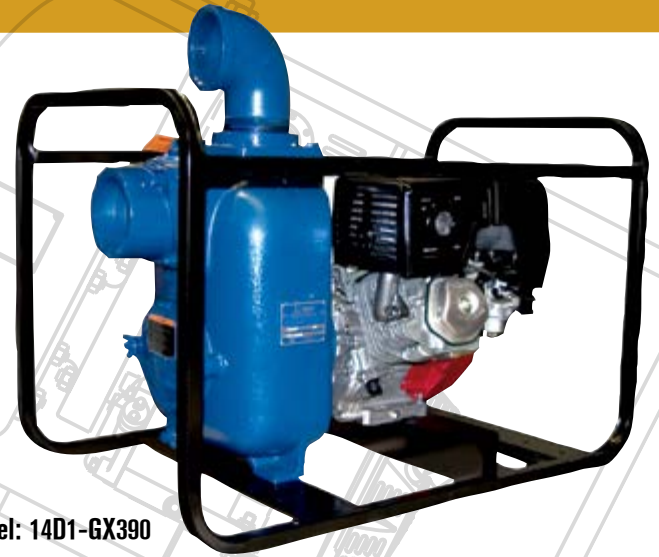


ENGINE-DRIVEN, SOLIDS-HANDLING TRASH PUMPS

Gorman-Rupp 4" engine-driven trash pumps are designed for applications that require high flow efficiency and solids-handling capability. Pumps are constructed of heavy-duty cast aluminum or cast iron with replaceable ductile iron impellers and steel or cast iron wearplates. Front cleanout design, on most models, permits easy removal of trash and debris without disconnecting hoses. Pumps are available with Honda or Kohler gasoline or Kohler diesel engines. All models include a suction strainer and 90° discharge elbow.



Model: 14D1-GX390



FEATURES

- Cast iron or cast aluminum construction
- Viton® silicon/carbide mechanical or Gorman-Rupp double-lubricated grease seals
- 4" NPT port sizes
- Engine options: Honda or Kohler gasoline engine; Kohler diesel engine
- Heavy-duty steel roll cage or skid base
- Solids-handling to 2" (50 mm) diameter
- Suction strainer and 90° discharge elbow
- Self-priming up to 25 ft. (7,6 m) lift with built-in flap valve
- Replaceable ductile iron impeller and steel wearplate
- Maximum temperature to 160° F (71° C) (to 110° F [43° C] for grease seal)
- Maximum operating pressure to 89 psi (6,1 bar)
- Wheel kit standard on some models - other models, available upon request



Model: 14D52-12LD477 S/G

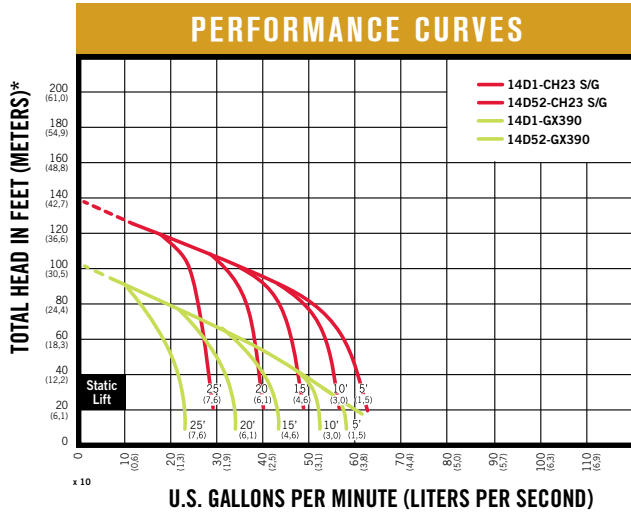
GENERAL INFORMATION

Model	Ship Wt. (Approx.)	Driver Type (HP)	Max. Solids	Suc. x Dis. (NPT)	Basic Construction	Seal Type & Elastomer/Faces	Tank Size	Run Time	Mounting
14D1-GX390	262 lbs.	Honda Gasoline	2" (50 mm)	4" x 4"	Aluminum	Viton®* Silicon/Carbide	1.7 gal.	1.2 hrs.	Roll Cage
14D52-GX390	262 lbs.	Honda Gasoline	2" (50 mm)	4" x 4"	Cast Iron	Viton®* Silicon/Carbide	1.7 gal.	1.2 hrs.	Roll Cage
14D1-CH23 S/G*	385 lbs.	Kohler Gasoline	2" (50 mm)	4" x 4"	Aluminum	Viton®* Silicon/Carbide	10.0 gal.	5 hrs.	Roll Cage
14D52-CH23 S/G*	509 lbs.	Kohler Gasoline	2" (50 mm)	4" x 4"	Cast Iron	Viton®* Silicon/Carbide	10.0 gal.	5 hrs.	Roll Cage with Wheel Kit
14D52-12LD477 S/G*	855 lbs.	Kohler Diesel (15.5)	2" (50 mm)	4" x 4"	Cast Iron	Viton®* Silicon/Carbide	11.0 gal.	15.3 hrs.	Skid Base with Wheel Kit
14D2-12LD477 S/G*	855 lbs.	Kohler Diesel (15.5)	2" (50 mm)	4" x 4"	Cast Iron	Gorman-Rupp Grease	11.0 gal.	15.3 hrs.	Skid Base

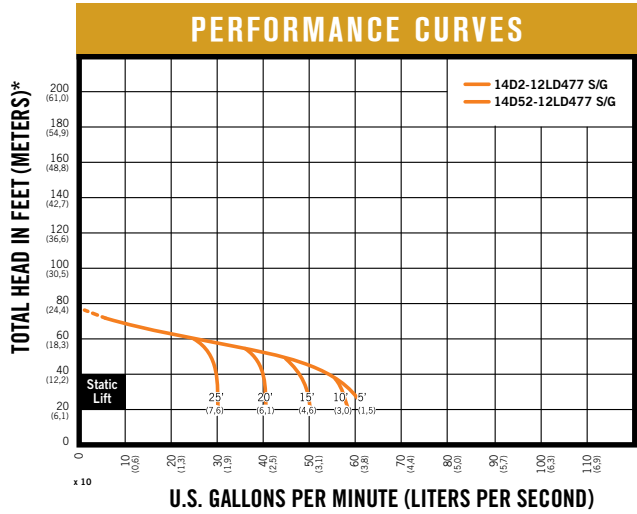
*12 volt electric start. Battery not included. *Viton® is a registered trademark of DuPont.

ENGINE-DRIVEN, SOLIDS-HANDLING TRASH PUMPS

10 SERIES

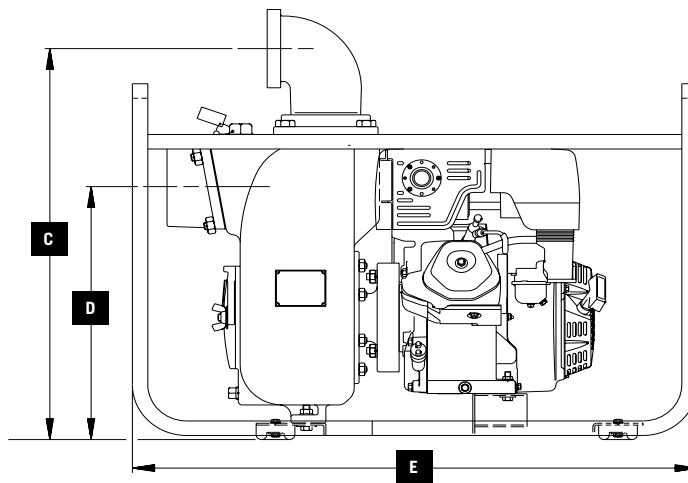
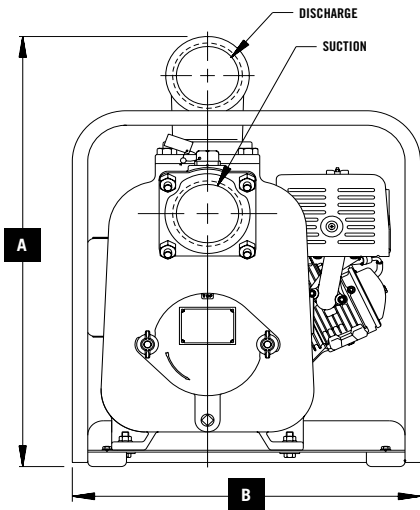


U.S. GALLONS PER MINUTE (LITERS PER SECOND)
 Curves are based on a specific gravity of 1.0 *To convert to PSI divide by 2.31



U.S. GALLONS PER MINUTE (LITERS PER SECOND)
 Curves are based on a specific gravity of 1.0 *To convert to PSI divide by 2.31

MODEL: 14D1-GX390



Model	INCHES (MILLIMETERS)					Suction*	Discharge*
	A	B	C	D	E		
14D1-GX390	29.66 (753,40)	22.50 (571,50)	26.96 (684,80)	17.44 (443,00)	36.50 (927,10)	4.00	4.00
14D52-GX390	29.66 (753,40)	22.50 (571,50)	26.96 (684,80)	17.44 (443,00)	36.50 (927,10)	4.00	4.00
14D1-CH23 S/G	35.92 (912,40)	25.50 (647,70)	33.22 (843,80)	23.68 (601,50)	32.50 (825,50)	4.00	4.00
14D52-CH23 S/G	54.94 (1395,50)	58.69 (1490,70)	52.25 (1327,20)	42.75 (1085,80)	75.38 (1914,60)	4.00	4.00
14D2-12LD477 S/G	30.26 (768,60)	32.68 (830,10)	29.98 (761,50)	20.30 (515,60)	43.00 (1092,20)	4.00	4.00
14D52-12LD477 S/G	58.69 (1490,70)	54.94 (1395,50)	52.25 (1327,20)	42.75 (1085,80)	75.38 (1914,60)	4.00	4.00

*Standard NPT Pipe Threads

