

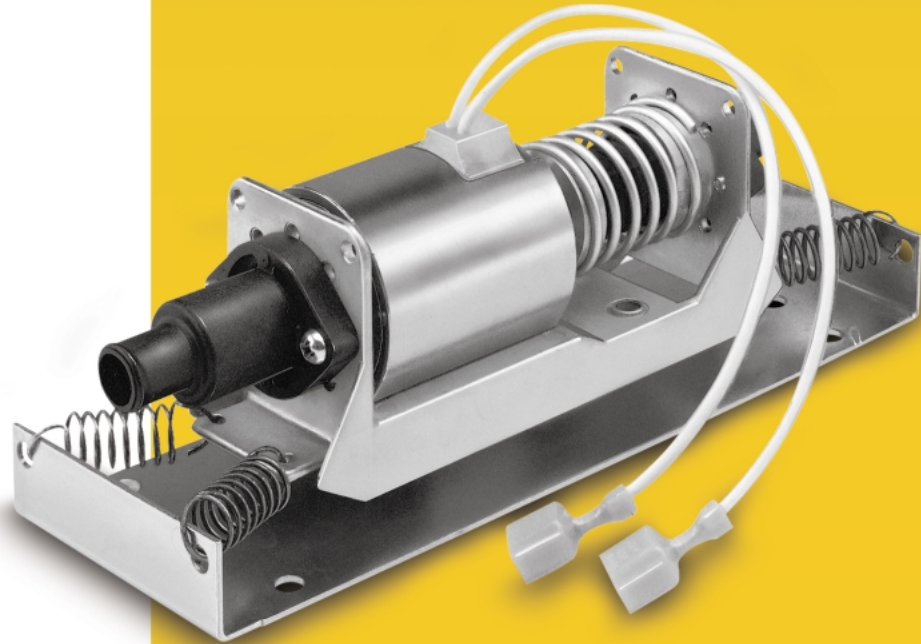
Oscillating Pump

Coil Spring Oscillating Pump:

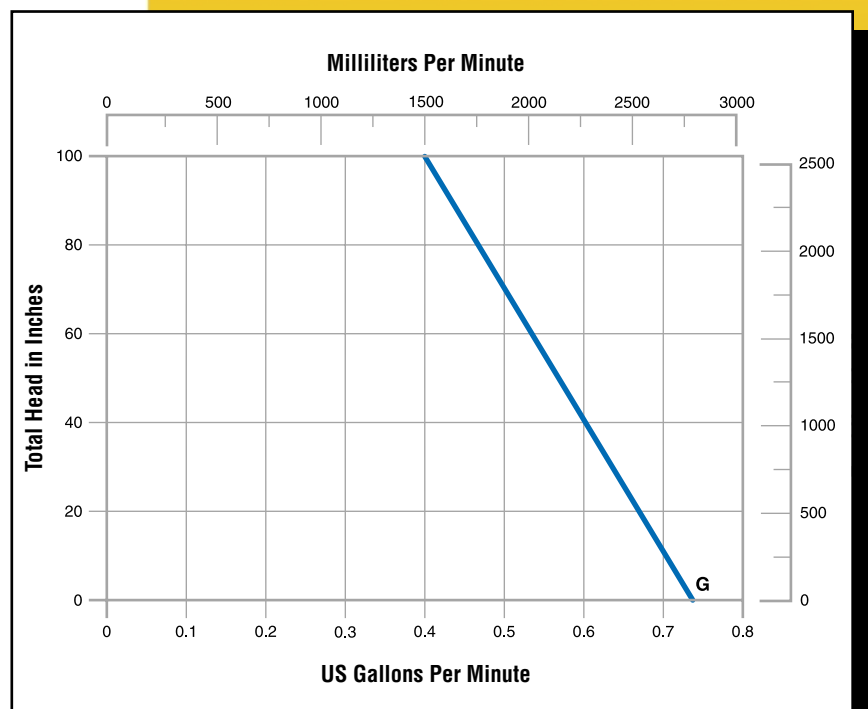
- *Self-Priming to 48 Inches*
- *No Dynamic Seals*
- *Compact*
- *Lightweight*
- *Economical*
- *Can Operate Continuously*
- *Moisture & Corrosion Resistant Coil*
- *Coil Spring Offers Higher Flow & Efficiency and Greater Priming Ability*
- *Flow to .7 GPM*
- *Discharge Head to 8.3 Ft.*
- *Maximum Temperature to 104° F*

Oscillating pumps are self-priming, corrosion resistant, have no dynamic seals and are constructed from FDA accepted materials. An elastomeric impeller extends through a spring and armature and into an electric coil. A diode in the circuit feeds DC impulses to the electrical coil 60 times per second. Each pulse draws the armature and impeller forward against the spring, causing the impeller to pump a volume of liquid out through the outlet port. The spring then returns the armature and impeller to their starting position, drawing liquid through the inlet. A valve in the impeller prevents backflow of liquid. Actual flow may vary from pump to pump. These pumps are intended for replenishing, transfer and circulating installations. Typical OEM applications include film and microfilm processors, litho and graphic arts plate processors, detergent dispensing, chemical mixing, medical, scientific and laboratory equipment.

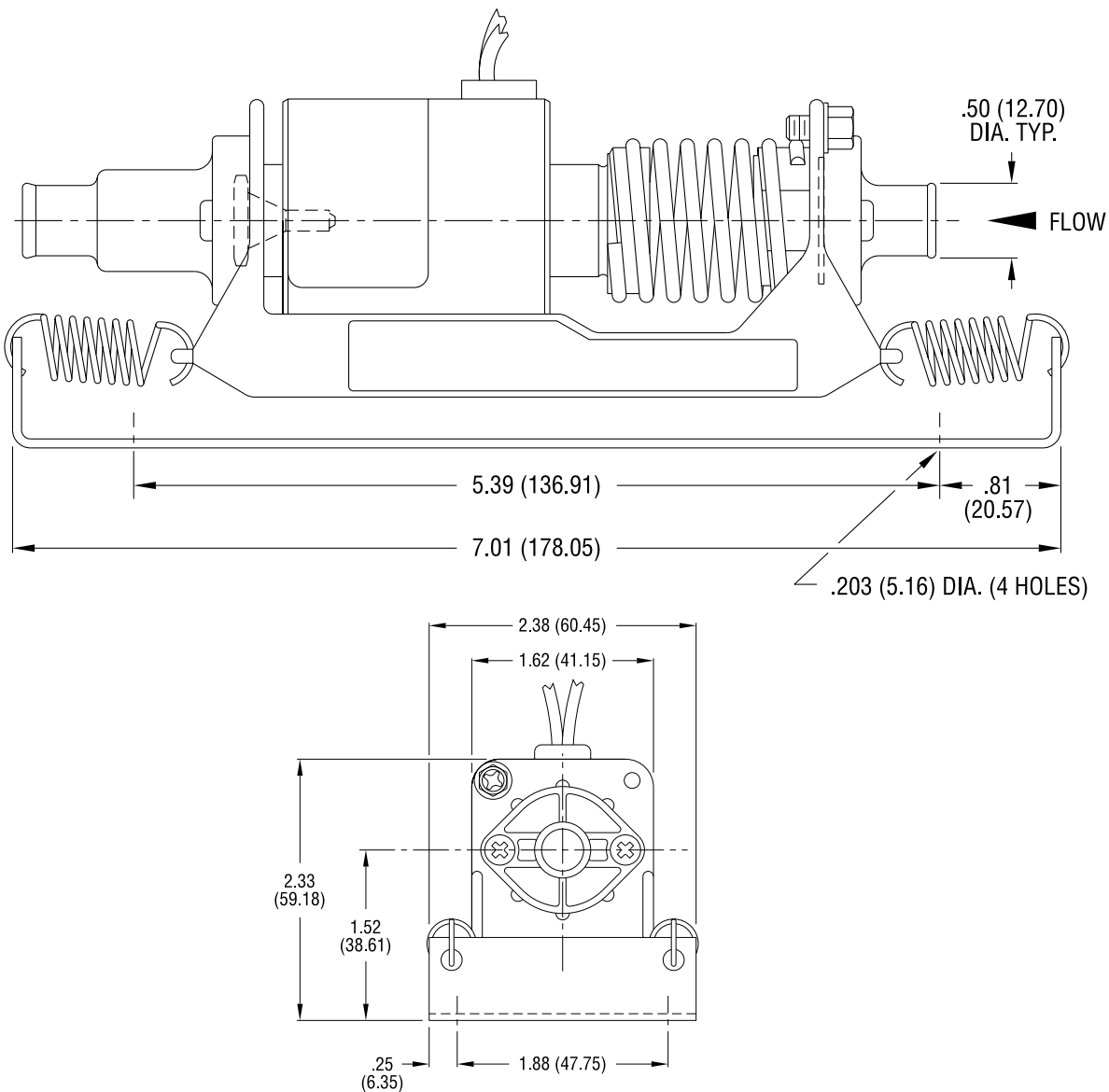
WARNING: Do not use in explosive atmosphere or for pumping volatile flammable liquids.



Model 1700-002 S



Oscillating Pump



Catalog Number Stock No.	Description/ Type of Pump	Ship Wt (Lbs.)	Driver Type & HP	Port size Suc x Dis (tube)	Basic Construction	Seal Type & Elastomer /Faces	50/60 HZ VAC	FL Amps	Motor Enclosure
17000-002 S	Oscillating Pump	1	Coil	7/16" or 12mm	Polypropylene	EPT	115	0.38	Coil

Standard Features

- Impeller and Valve material EPT
- 24" Black/24" White electrical leads and .25" Male Spade terminals
- Mounted with 4 springs and bracket
- Maximum temperature to 104° F
- EPT & Glass-Reinforced Polypropylene materials in contact with solution



See price book page 45

The Gorman-Rupp Company reserves the right to discontinue any model or change specifications at any time without incurring any obligation.

CP123-124/0904